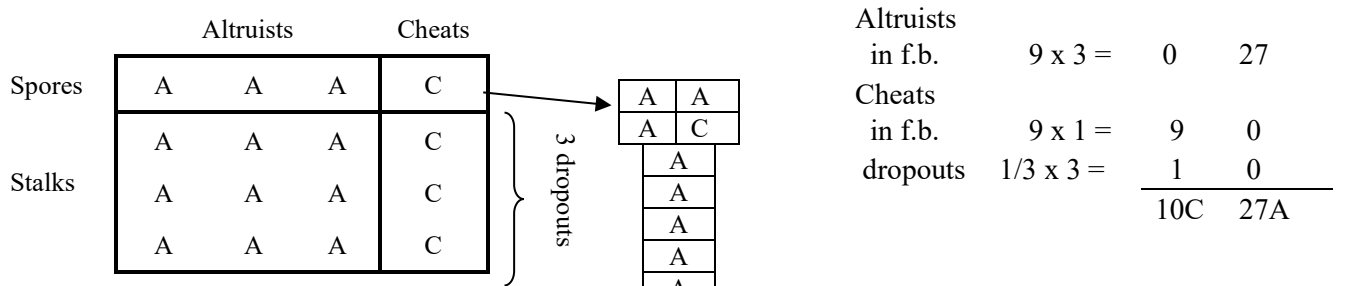
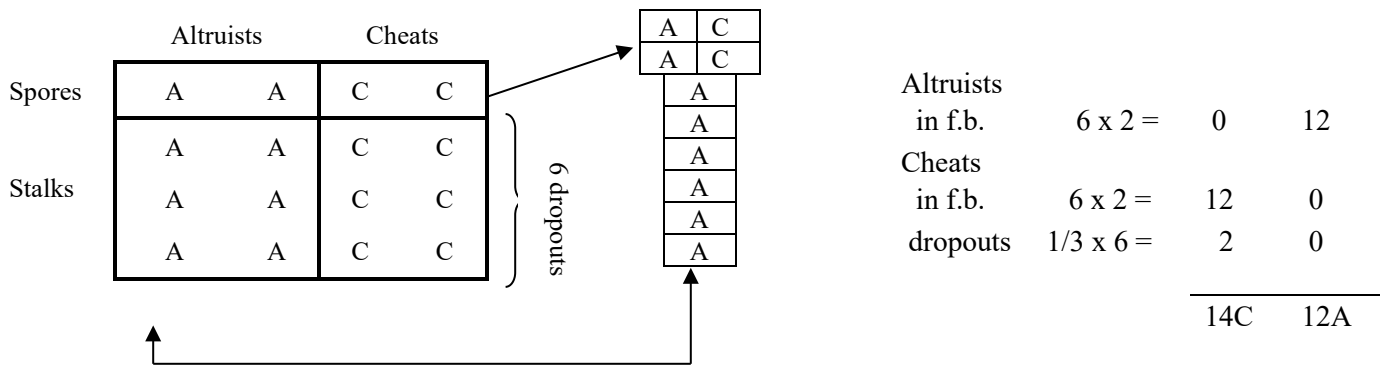
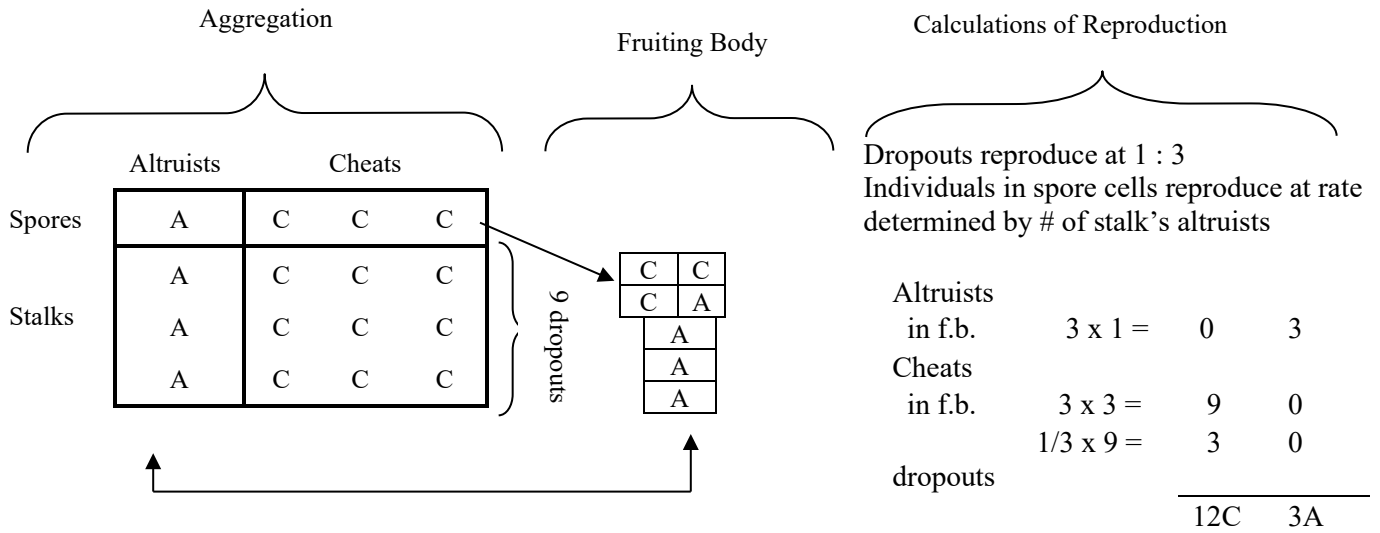


A model of group promoting traits ins slime molds



Group Altruists	12C	3A
Cheats	14C	12A
Dropouts	10C	27A
Grand Total	36C	42A